

REMOTE CONTROL VIA INTERNET USING ETHERNET ADAPTOR

ABSTRACT:

Remote control via internet using Ethernet adaptor embedded system project is used to monitor home equipment for remote location using internet as medium. This project is a integration of automation and security in to single unit. Continuous checking of sensors are done and details about the status of sensors and send to user PC. All this operations are done though LAN.

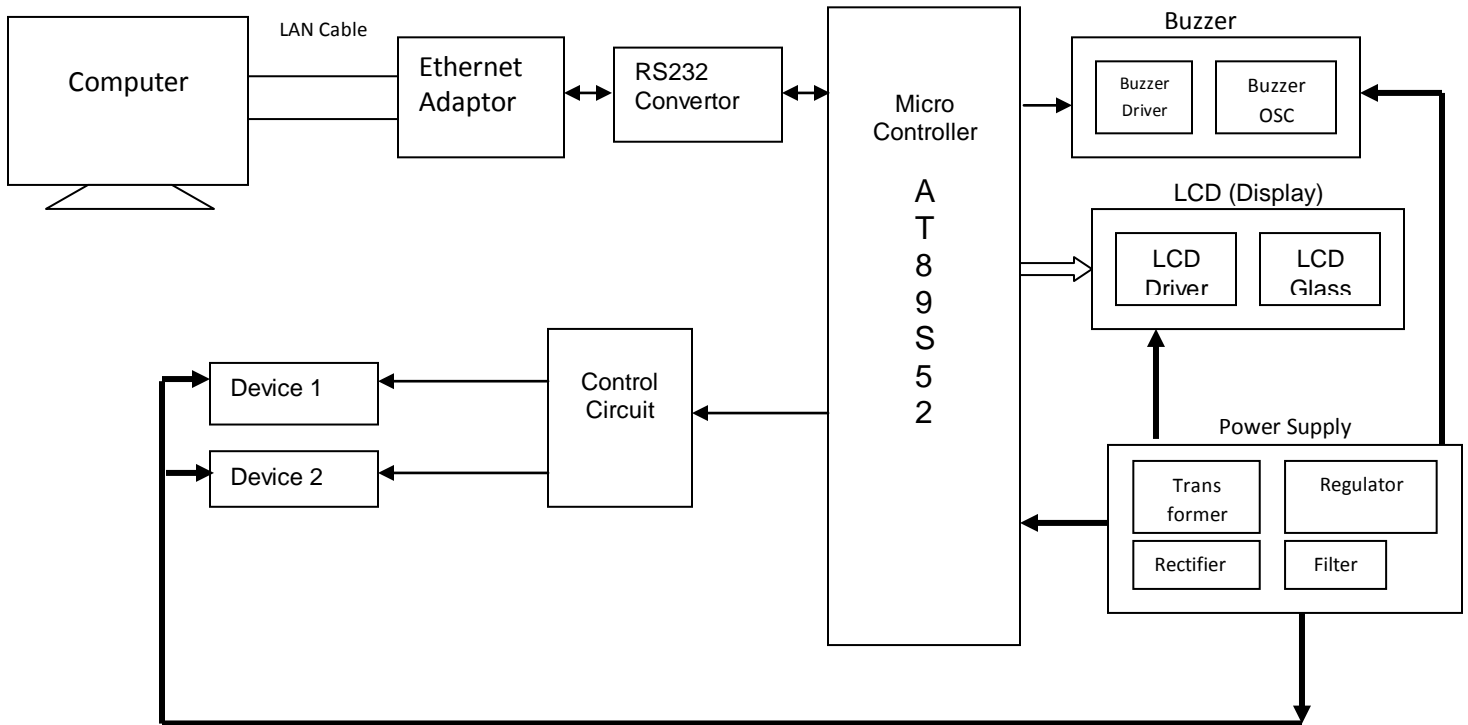
HARDWARE REQUIREMENTS:

- 8051 microcontroller (AT89S52)
- Power Supply 5v DC - 7805
- Ethernet Adaptor
- LCD - Liquid Crystal Display 2x16
- Relay(12v) with relay driver(ULN2003)
- Temperature sensor(DS18S20)

SOFTWARE USED:

- Embedded C

BLOCK DIAGRAM:



WORKING PRINCIPLE:

In this Project we use a microcontroller (AT89S52) which controls the electronic devices through the relay driver (ULN2003). Also we are using PC, which is used for monitoring purpose. The temperature sensor (DS18S20) senses the temperature. Based on the temperature, the microcontroller produces the desired output. Thus our project helps us in constant touch with our home environment ensuring the safety of our home.